

CleanSweep®

3A AC Power Line EMI Filters

Clean Power Free of High-Frequency Noise

OnFILTER CleanSweep® EMI filters provide noise-free AC power for your sensitive equipment in end-user installations. Innovative design accomplishes maximum noise suppression of signals polluting your power lines, freeing your equipment from harmful interference.

Clean power is essential for uninterrupted and problem-free operation of electrical and electronic equipment. As electromagnetic interference (EMI) spreads through power lines and ground, it causes downtime and errors in today's equipment and may inflict component damage.

Unique design of OnFILTER CleanSweep® series focuses on the properties of real-life signals on power lines and produces maximum attenuation of the "worst offenders" on power lines.

Filters are very easy to install - just plug it into the wall outlet and plug your equipment into the outlet on the filter.



Various configurations available

Applications

- Electronic manufacturing
- Semiconductor fabrication
- Disk drive assembly
- Industrial robotics
- Medical
- Military
- Wherever EMI is an issue

Features

- Easy plug-in installation
- Optimized for power lines
- Effective noise suppression for all types of noise
- CleanSweep® filter family includes single and three phase models for up to 250V AC 30A

Increased Up-Time

OnFILTER CleanSweep® filters reduce equipment downtime caused by EMI and increase its performance and productivity by providing clean power to your sensitive tools.

Transient Noise Suppression

Most of the noise on power lines is not continuous waveforms of high frequency but rather "spikes" generated by solenoids, relays, stepper and variable-frequency motors and alike. The peak value of these spikes can be very strong reaching several volts. OnFILTER CleanSweep® filters are especially effective for this type of signals.

Differential and Common Mode Attenuation

OnFILTER CleanSweep® filters provide suppression for both types of noise - differential (between power line wires) and common-mode (between power line and ground).

Flexible Architecture

OnFILTER CleanSweep® series filters can be configured for different voltages and types of outlets for single and three-phase applications.

CleanSweep® Power Line AC Filters AP Series

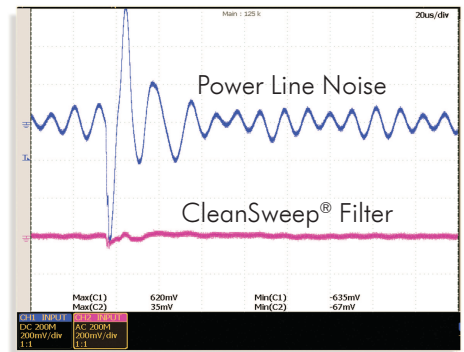


Specification

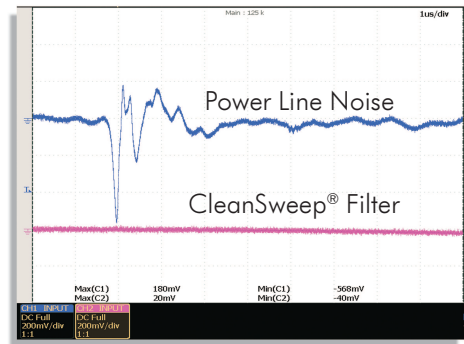
OnFILTER CleanSweep® filters utilize proprietary technology to provide maximum noise suppression in actual installations, not just in the controlled laboratory environment.

Parameter	Value
Rated Voltage, RMS	110...250V AC
Rated Current, RMS	3A
Power Line Frequency	50/60 Hz
Transient Signal Attenuation (Typical)	
Differential Mode	24dB
Common Mode	20dB
Continuous Signal Attenuation (Typical)	
0.1/100 Ohms Interface	
Low Frequencies	50dB
High Frequencies	25dB
Power Indication	LED
Dimensions (WxDxH)	3.12"x1.85"x5.0" 80mmx47mmx127mm

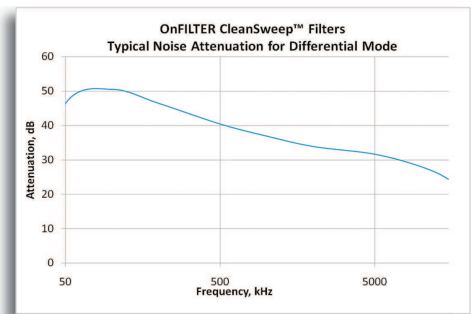
Other CleanSweep® models include single-phase, dual-phase and three-phase filters for up to 30A RMS and 250V AC with a variety of U.S. and international plug and outlet configurations - please



Typical Performance with Differential Mode Noise



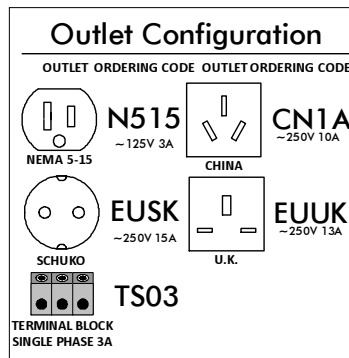
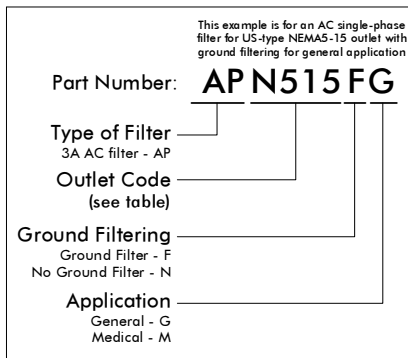
Typical Performance with Common Mode Noise



Typical Frequency Response (Differential Mode)

Ordering Information

Please select the type of filter most suitable for your application. Although there are many selection criteria, choosing the right filter is fairly simple. Most important parameter you need to select is the type of an outlet which will define voltage and current rating and the number of phases.



Contact us for other configurations



OnFILTER, Inc.
730 Mission St., Ste. 102
Santa Cruz, CA 95060 U.S.A.
Tel. +1.831.824.4052
FAX +1.206.350.7458
www.onfilter.com
info@onfilter.com

